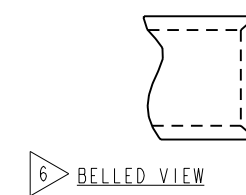
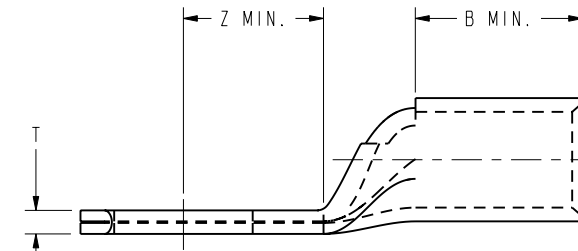
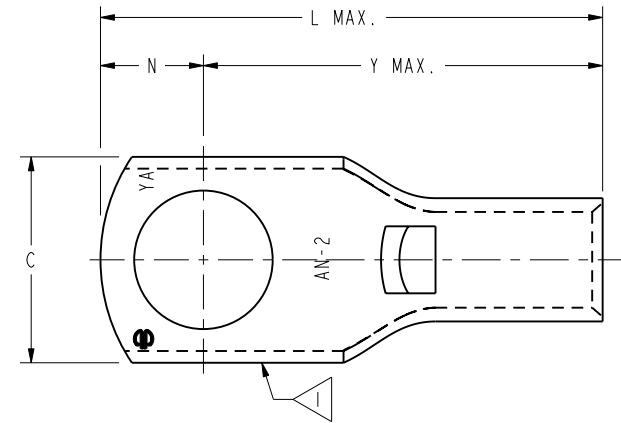


DRAWING NO. SD034764				7		6		5		4		3		2		1																																																																																																																													
BURNDY® CATALOG NUMBER	COPPER AIRCRAFT CABLE MIL-W-5086	MS20659 DASH NUMBER	STUD SIZE	B MIN.	C ±.020	L MAX.	N ±.010	R REF.	T ±.015	Y MAX.	Z MIN.	INSTALL. TOOL INDEX NUMBER	REV. DATE DESCRIPTION ECO BY C'H'K.																																																																																																																																
YAV2C-L3	AN-2	146	10	.595	.688	1.722	.344	.69	.091	1.373	.349	41	H	11/23/2010 12:00:00 AM	ADDED CAT.# YAV2CL56	22792	MG	JG																																																																																																																											
YAV2C-L1		113	1/4	↑	↓	1.722	.344	↑	.091	1.373	.349	↑	41																																																																																																																																
YAV2C-L2		147	5/16											1.722	.344	↑	.091	1.373	.349	↑	41																																																																																																																								
YAV2C-L		114	3/8																			1.722	.344	↑	.091	1.373	.349	↑	41																																																																																																																
YAV2C-L23		---	3/8																											.688	1.868	.344	.091	1.519	.495	↑	41																																																																																																								
YAV2C-L19		---	3/8																																			.665	1.943	.325	.094	1.613	.589	↑	41																																																																																																
YAV2C-L26		---	3/8-10MM																																											.688	1.722	.344	.091	1.373	.349	↑	41																																																																																								
YAV2C-L11		148	7/16																																																			.770	1.878	.385	.079	1.488	.464	↑	41																																																																																
YAV2C-L4		133	1/2																																																											.770	1.878	.385	.079	1.488	.464	↑	41																																																																								
YAV2C-L22		---	1/2																																																																			.770	2.082	.385	.079	1.692	.668	↑	41																																																																
YAV2C-L38		---	3/4																																																																											.595	1.250	2.337	.625	.75	.051	1.707	.683	↑	41																																																						
YAV2CL-L56		---	1/2																																																																																					.725	.830	2.100	.406	.75	.120 MIN	1.685	.551	↑	41																																												
YAVIC-L6		---	10																																																																																															.595	.760	1.666	.344	.75	.109	1.317	.246	↑	42																																		
YAVIC-L1		115	1/4																																																																																																									↑	↓	1.839	.380	↑	.109	1.454	.383	↑	42																								
YAVIC-L2		149	5/16																																																																																																																			1.839	.380	↑	.109	1.454	.383	↑	42																
YAVIC-L		116	3/8																																																																																																																											1.839	.380	↑	.109	1.454	.383	↑	42								
YAVIC-L12	---	3/8-10MM	.760																																																																																																																																			1.759	.344	.109	1.410	.339	↑	42	
YAVIC-L4	150	7/16		.860	1.970	.430	.102	1.535	.464	↑	42																																																																																																																																		
YAVIC-L3	134	1/2										.860	1.970	.430	.102	1.535	.464	↑	42																																																																																																																										
YAVIC-L5	---	5/8																		1.060	2.431	.500	.099	1.926	.855	↑	42																																																																																																																		
YAVIC-L18	---	3/8																										.595	.760	1.989	.380	.75	.109	1.604	.530	↑	42																																																																																																								
YAV25-L5	---	10																																				.658	.830	1.988	.375	.75	.110	1.608	.428																																																																																																↑
YAV25-L29	---	10-5MM																																												↑	↓	1.988	.375	↑	.110	1.608	.428																																																																																								
YAV25-L1	117	1/4																																																				2.028	.415	↑	.110	1.608	.428	↑	43																																																																																
YAV25-L2	151	5/16																																																												2.028	.415	↑	.110	1.608	.428	↑	43																																																																								
YAV25-L	118	3/8																																																																				.830	2.028	.415	.110	1.608	.428	↑	43																																																																
YAV25-L15	---	3/8																																																																												.687	1.852	.343	.140	1.504	.324	↑	43																																																								
YAV25-L26	---	3/8																																																																																				.880	2.089	.440	.104	1.644	.464	↑	43																																																
YAV25-L30	---	3/8																																																																																												.830	2.830	.390	.110	2.435	1.255	↑	43																																								
YAV25-L28	---	3/8-10MM																																																																																																				.830	2.028	.390	.110	1.608	.428	↑	43																																
YAV25-L16	152	7/16																																																																																																												.880	2.089	.440	.105	1.644	.464	↑	43																								
YAV25-L3	135	1/2																																																																																																																				.880	2.089	.440	.105	1.644	.464	↑	43																
YAV25-L4	---	5/8	.880																																																																																																																											2.305	.500	.105	1.800	.620	↑	43									
YAV25-L23	---	3/4		.953	2.490	.625	.093	1.860	.680	↑	43																																																																																																																																		
YAV25-L16G1	---	7/16										.830	2.089	.440	.110	1.644	.464	↑	43																																																																																																																										
YAV25-L362	---	1/2																		.830	2.089	.440	.110	1.644	.464	↑	43																																																																																																																		
YAV25-L39	---	1/2																										.658	.973±.040	2.089	.440	.75	.188 REF.	1.644	.464	↑	43																																																																																																								



6 BELLED VIEW

NOTES:

- 1 DUE TO METHODS OF MANUFACTURING, SERRATIONS APPEAR ON TONGUE.
2. MATERIAL: COPPER TUBING
3. FINISH: TIN PLATED
4. ALL ITEMS ARE LISTED BY UNDERWRITERS LABS PER CONTROL NUMBER 670-B, FILE NUMBER E9498, WHITE CARD. (DOES NOT APPLY TO YAV--L-G).
- 5 ADD SUFFIX "-NK" FOR NICKEL PLATING.
- 6 ADD SUFFIX "B" FOR BELLED BARREL. BELLED VERSIONS OF THESE HYLUGS™ DON'T CONFORM TO THE MS20659 DASH NO.

TO ORDER BURNDY® PRODUCTS CALL		HYLUG™	
UNITED STATES 1-800-346-4175 (LONDONDERRY, NH)		ITEM NO: N/A	CAT. NO: YAVL (SEE TABLE)
CANADA: 1-800-361-6975 (QUEBEC) 1-800-387-6487 (ALL OTHER PROVINCES)		DRAWN BY: ESK 02-02-73	CHECKER: TB 06-01-77
FOR PRODUCT INFO: http://www.burndy.com		DSN APPVL: TB 06-01-77	MFG APPVL: --
		QA APPVL: --	MKT APPVL: --
		PROD FAM: PROD./SMALL COMPRE.	DRAWING NO: SD034764
		PROJECT #: --	SIZE: D
		DOCUMENT TYPE: Sales	SHEET 2 OF 3
		REL LEVEL: Released	REV: H

REV: PE0200